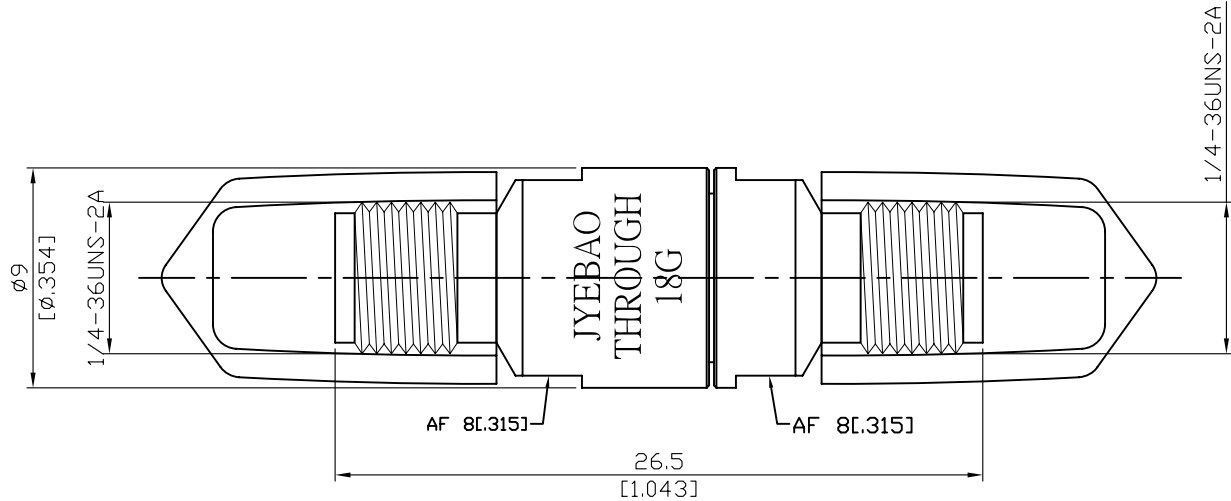


TH-SMA-FF-18G

SMA Jack to SMA Jack Phase Matched Adaptor
18GHz 28dB

50Ω



| THROUGH ADAPTOR | | |
|------------------------|-------------|--------|
| FREQUENCY RANGE | DC-18GHz | |
| IMPEDANCE | 50Ω | |
| INSERTION LOSS | ≤ 0.15dB | |
| ELECTRICAL LENGTH (mm) | 27.713±0.12 | |
| RETURN LOSS | DC-6GHz | ≥ 32dB |
| | 6-18GHz | ≥ 28dB |

Notes:

1. Temperature range for optimal results: +20 °C to +26 °C
2. Storage temperature range: -20 °C to +75°C
3. When not in use put on cap to keep connector clean
4. Return loss test results shipped along with goods

| Parts | Material | Plating (Micro-inch) |
|-------------|------------------|---|
| Contact Pin | Beryllium Copper | Gold 4 Over Nickel-Phosphorus Alloy 80 Over Copper 20 |
| Insulator | Teflon | |
| Body | Stainless Steel | Passivated |
| Cap | PVC | |

This part number complies with RoHS.

Notice: JYEBAO reserves the right to make modifications deemed appropriate.