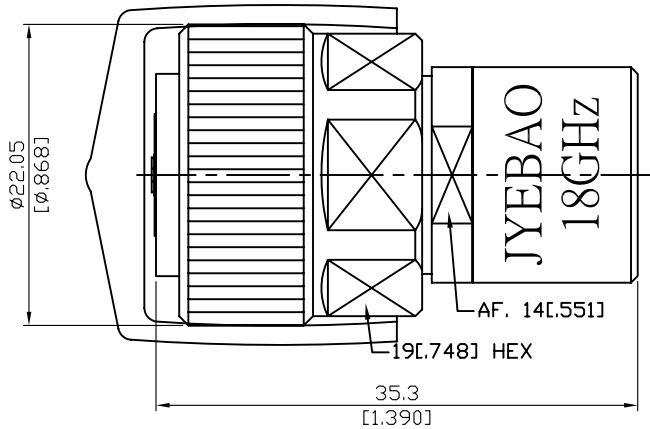


S-PC7-18G

7mm 50ohm Short  
18GHz 0.2dB

50Ω



Notes:

1. Temperature range for optimal results: +20 °C to +26 °C
2. Storage temperature range: -20 °C to +75 °C
3. When not in use put on cap to keep connector clean
4. Return loss test results shipped along with goods
5. Use with Jyebao short O-PC7-18G

SHORT				
FREQUENCY RANGE	DC-18GHz			
IMPEDANCE	50Ω			
OFFSET LENGTH	Agilent	Anritsu	Rohde & Schwarz	
	0 ps	0.0mm	0.0mm	
INDUCTANCE	Agilent / Anritsu		Rohde & Schwarz	
	L0	(1E-12) H	0.000	pF
L1	(1E-24) H/Hz	0.000	pF/GHz	0.0000000
L2	(1E-33) H/Hz <sup>2</sup>	0.000	pF/GHz <sup>2</sup>	0.0000000
L3	(1E-42) H/Hz <sup>3</sup>	0.000	pF/GHz <sup>3</sup>	0.0000000
PHASE ERROR	DC-6GHz		≤ 1.5°	
	6-18GHz		≤ 2°	
RETURN LOSS	DC-6GHz		≤ 0.10dB	
	6-18GHz		≤ 0.20dB	

Parts	Material	Plating ( Micro-inch )
Cover	Aluminium	Anodized(Green)
Contact Pin	Brass	Gold 4 Over Nickel-Phosphorus Alloy 80 Over Copper 20
Body	Brass	Tin-Zinc-Copper-Alloy 100 Over Copper 50
Coupling Nut	Stainless	Passivated
Cap	PVC	

This part number complies with RoHS.

Notice: JYEBAO reserves the right to make modifications deemed appropriate.