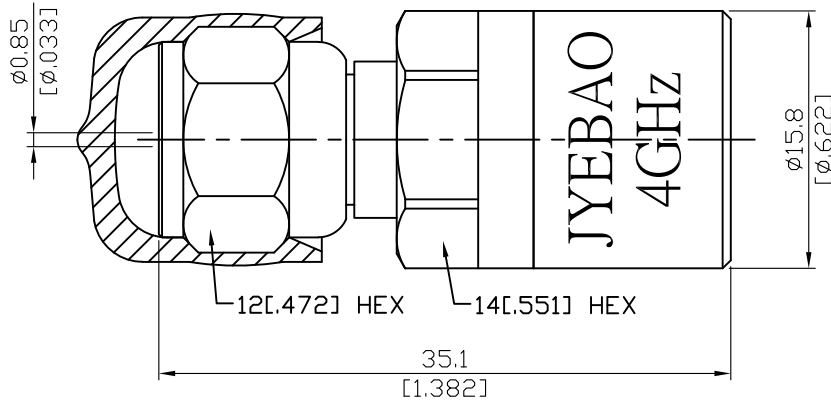


S-F-M-4G

F Plug Short 4GHz 0.1dB

75Ω



SHORT			
FREQUENCY RANGE		DC-4GHz	
IMPEDANCE		75Ω	
OFFSET LENGTH			
AGILENT	ANRITSU	ROHDE&SCHWARZ	
57ps	17.10mm	17.10mm	
INDUCTANCE			
AGILENT / ANRITSU		ROHDE&SCHWARZ	
L0 (1E-12) H	0	pH	0.0000000
L1 (1E-24) H/Hz	0.000	pH/GHz	0.0000000
L2 (1E-33) H/Hz ²	0.000	pH/GHz ²	0.0000000
L3 (1E-42) H/Hz ³	0.000	pH/GHz ³	0.0000000
PHASE ERROR	DC-2GHz		≤ 0.8°
	2-4GHz		≤ 1.2°
RETURN LOSS	DC-2GHz		≤ 0.07dB
	2-4GHz		≤ 0.10dB

Notes:

1. Temperature range for optimal results: +20 °C to +26 °C
2. Storage temperature range: -20 °C to +75°C
3. When not in use put on cap to keep connector clean
4. Return loss test results shipped along with goods

Parts	Material	Plating (Micro-inch)
Cap	PVC	
Cover	Aluminium	Anodized(Green)
Body	Brass	Tin-Zinc-Copper-Alloy 100 Over Copper 50
Contact Pin	Brass	Gold 4 Over Nickel-Phosphorus Alloy 80 Over Copper 20
Coupling Nut	Brass	Tin-Zinc-Copper-Alloy 100 Over Copper 50

This part number complies with RoHS.

Notice: JYEBAO reserves the right to make modifications deemed appropriate.