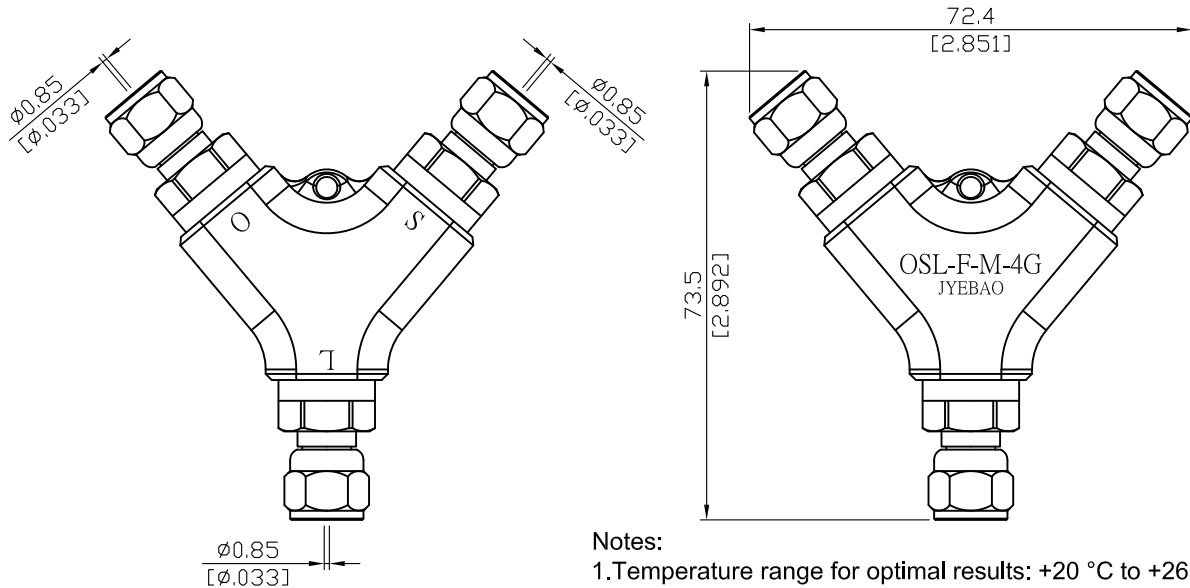


OSL-F-M-4G

F plug open short load 4GHz

75Ω



Notes:

1. Temperature range for optimal results: +20 °C to +26 °C
2. Storage temperature range: -20 °C to +75°C
3. When not in use put on cap to keep connector clean
4. Return loss test results shipped along with goods

OPEN		
FREQUENCY RANGE		DC-4GHz
IMPEDANCE		75Ω
OFFSET LENGTH		
AGILENT	ANRITSU	ROHDE&SCHWARZ
53.6ps	16.08mm	16.08mm
CAPACITANCE		
AGILENT / ANRITSU		ROHDE&SCHWARZ
C0 (1E-15) F	42.945 fF	42.9450000
C1 (1E-27) F/Hz	98.367 fF/GHz	0.0983670
C2 (1E-36) F/Hz ²	706.930 fF/GHz ²	0.7069300
C3 (1E-45) F/Hz ³	-114.957 fF/GHz ³	-0.1149570
PHASE ERROR	DC-2GHz	≤ 1.0°
	2-4GHz	≤ 1.6°
RETURN LOSS	DC-2GHz	≤ 0.07dB
	2-4GHz	≤ 0.10dB

SHORT			
FREQUENCY RANGE		DC-4GHz	
IMPEDANCE		75Ω	
OFFSET LENGTH			
AGILENT	ANRITSU	ROHDE&SCHWARZ	
57ps	17.10mm	17.10mm	
INDUCTANCE			
AGILENT / ANRITSU		ROHDE&SCHWARZ	
L0 (1E-12) H	0 pH	0.0000000	
L1 (1E-24) H/Hz	0.000 pH/GHz	0.0000000	
L2 (1E-33) H/Hz ²	0.000 pH/GHz ²	0.0000000	
L3 (1E-42) H/Hz ³	0.000 pH/GHz ³	0.0000000	
PHASE ERROR	DC-2GHz	≤ 0.8°	
	2-4GHz	≤ 1.2°	
RETURN LOSS	DC-2GHz	≤ 0.07dB	
	2-4GHz	≤ 0.10dB	

LOAD		
FREQUENCY RANGE		DC-4GHz
IMPEDANCE		75Ω
DC RESISTANCE		75±0.50Ω
MAX POWER		0.5W
RETURN LOSS	DC-2GHz	≥ 40dB
	2-4GHz	≥ 36dB

Parts	Material	Plating (Micro-inch)
Housing	Aluminium	Anodized (Green)
Cap	PVC	
Body open/short/load	Brass	Tin-Zinc-Copper-Alloy 100 Over Copper 50
Contact pin open/short/load	Beryllium Copper	Gold 4 Over Nickel-Phosphorus Alloy 80 Over Copper 20
Dielectric open/load	PS	
Coupling Nut open/short/load	Brass	Tin-Zinc-Copper-Alloy 100 Over Copper 50

This part number complies with RoHS.

Notice: JYEBAO reserves the right to make modifications deemed appropriate.