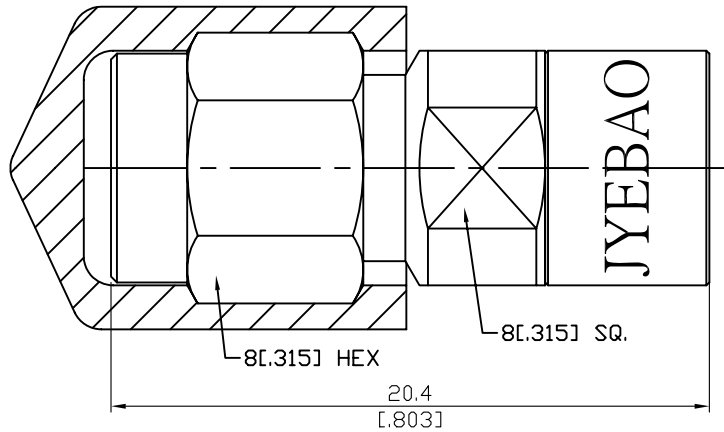


L-3.5-M-26.5G

3.5mm Plug 50ohm Termination
26.5GHz 34dB

50Ω



| Load | | |
|-----------------|------------|--------|
| Frequency Range | DC-26.5Ghz | |
| Impedance | 50Ω | |
| DC Resistance | 50 ± 0.50Ω | |
| Max Power | 0.25W | |
| Return Loss | DC-2GHz | ≥46dB |
| | 2-3GHz | ≥44 dB |
| | 3-8GHz | ≥38 dB |
| | 8-20GHz | ≥36 dB |
| | 20-26.5GHz | ≥34 dB |

Notes:

1. Temperature range for optimal results: +20 °C to +26 °C
2. Storage temperature range: -20 °C to +75°C
3. When not in use put on cap to keep connector clean
4. Return loss test results shipped along with goods

| Parts | Material | Plating (Micro-inch) |
|---------------|------------------|---|
| Cover | Aluminium | Anodized(Green) |
| Retainer Ring | Beryllium Copper | Tin-Zinc-Copper-Alloy 100 Over Copper 50 |
| Gasket | Silicone | |
| Nut | Brass | Tin-Zinc-Copper-Alloy 100 Over Copper 50 |
| Contact Pin | Beryllium Copper | Gold 4 Over Nickel-Phosphorus Alloy 80 Over Copper 20 |
| Insulator | PPO | |
| Body | Stainless Steel | Passivated |
| Coupling Nut | Stainless Steel | Passivated |
| Cap | PVC | |

This part number complies with RoHS.

Notice: JYEBAO reserves the right to make modifications deemed appropriate.