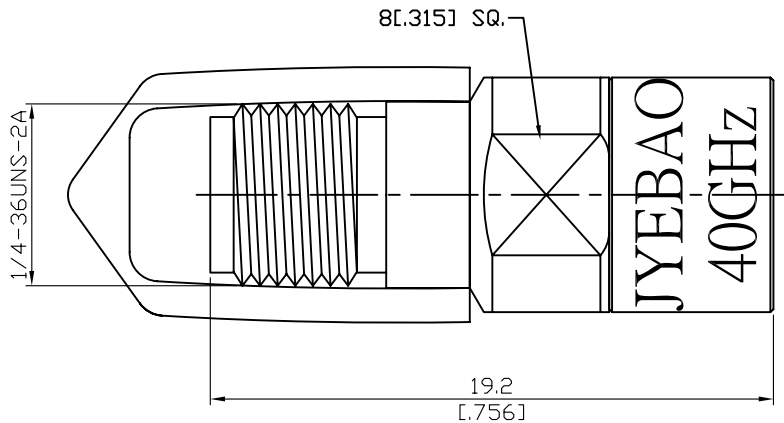


L-2.92-F-40G

2.92mm Jack 50ohm Termination
40GHz 30dB

50Ω



LOAD		
FREQUENCY RANGE	DC-40GHz	
IMPEDANCE	50Ω	
DC RESISTANCE	50±0.25Ω	
MAX POWER	0.25W	
RETURN LOSS	DC-6GHz	≥ 42dB
	6-40GHz	≥ 30dB

Notes:

1. Temperature range for optimal results: +20 °C to +26 °C
2. Storage temperature range: -20 °C to +75°C
3. When not in use put on cap to keep connector clean
4. Return loss test results shipped along with goods

Parts	Material	Plating (Micro-inch)
Cover	Aluminium	Anodized(Green)
Nut	Brass	Tin-Zinc-Copper-Alloy 100 Over Copper 50
Contact Pin	Beryllium Copper	Gold 4 Over Nickel-Phosphorus Alloy 80 Over Copper 20
Insulator	PPO	
Body	Stainless Steel	Passivated
Cap	PVC	

This part number complies with RoHS.

Notice: JYEBAO reserves the right to make modifications deemed appropriate.