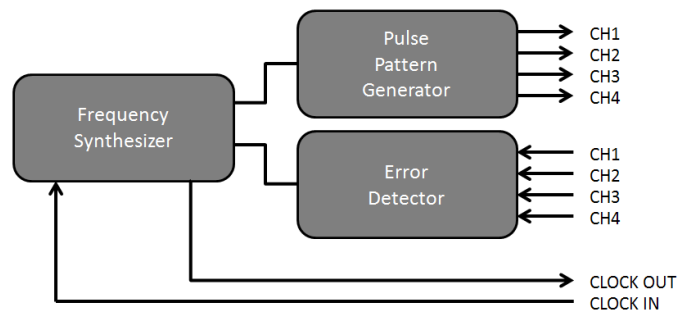


# 1504 PATTERN GENERATOR AND ERROR DETECTOR PRODUCT BRIEF



## Key Features

- Four channel NRZ PPG and ED
- 1 to 15 Gb/s and beyond
- Typical J<sub>RMS</sub> of 1 ps and J<sub>PP</sub> of 7 ps
- PRBS 2<sup>7</sup>, 9, 15, 23, 31 and 58
- Eye monitor for ≥ 8.5 Gbs operation
- Internal clock synthesizer
- PPM offset control
- Adjustable clock output
- External clock input
- TX level 25 to 1500 mV PP<sub>DIFF</sub>
- Pre and Post cursor emphasis
- TX squelch
- TX and RX polarity inversion
- Loss of signal indicator
- 64 bit programmable fixed pattern
- Error Insertion
- USB 2.0 controlled
- API command set
- Stand alone configuration available
- Small size 216w x 51h x 127d mm
- Integrated cooling fan
- 1 year warranty

The 1504 is a high performance, flexible and cost effective four channel Pulse Pattern Generator and Error Detector that can operate from 1 to 15 Gb/s (consult factory for higher or lower operation speeds). It is also a standalone Bit Error Rate test solution that incorporates an internal full rate clock synthesizer.

Its small size allows it to be placed close to the Device Under Test, it can also be placed further away using the TX driver pre and post emphasis controls features to compensate for cable and interconnect losses. It also has a non destructive, integrated eye outline capture feature along with a quick eye height and width measurement capability.

The 1504 was designed to characterize high speed digital links during the engineering, manufacturing or installation phases of a project. Such applications could include the testing of IC's, optical components, transceivers, copper cables, back planes and interconnects. The 1504 can be used for compliance testing of Ethernet, Fiber Channel, Infiniband, PCIE, SONET and proprietary link standards.